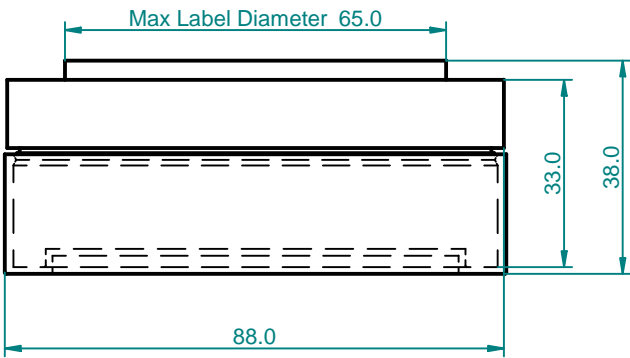
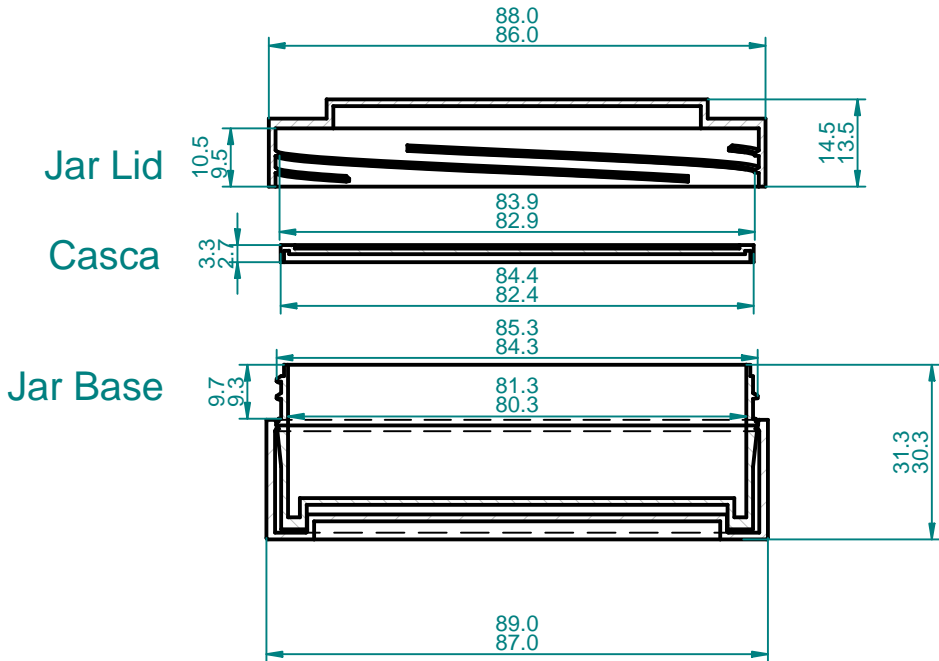
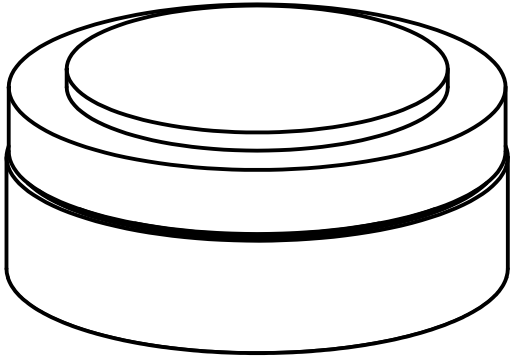
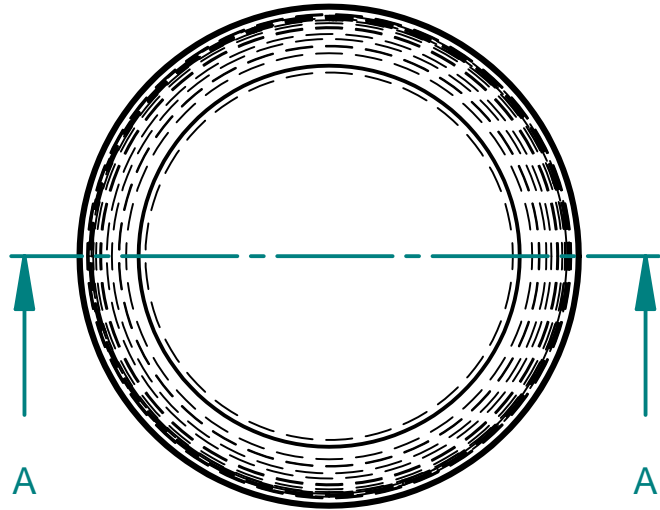



REVISION HISTORY		
REV	DESCRIPTION	DATE



SECTION A-A

UNLESS OTHERWISE SPECIFIED
 DIMENSIONS ARE IN MILLIMETERS
 ANGLES ±XX°
 2 PL ±X.XX 3 PL ±X.XXX

	DRAWN	DATE	
NAME	John	29/Jan/12	
CHECKED			TITLE
SCALE	0.75:1	SHEET 1 OF 1	100ml Jar Complete
SIZE	FILE NAME: Complete.dft		REV
A4			1