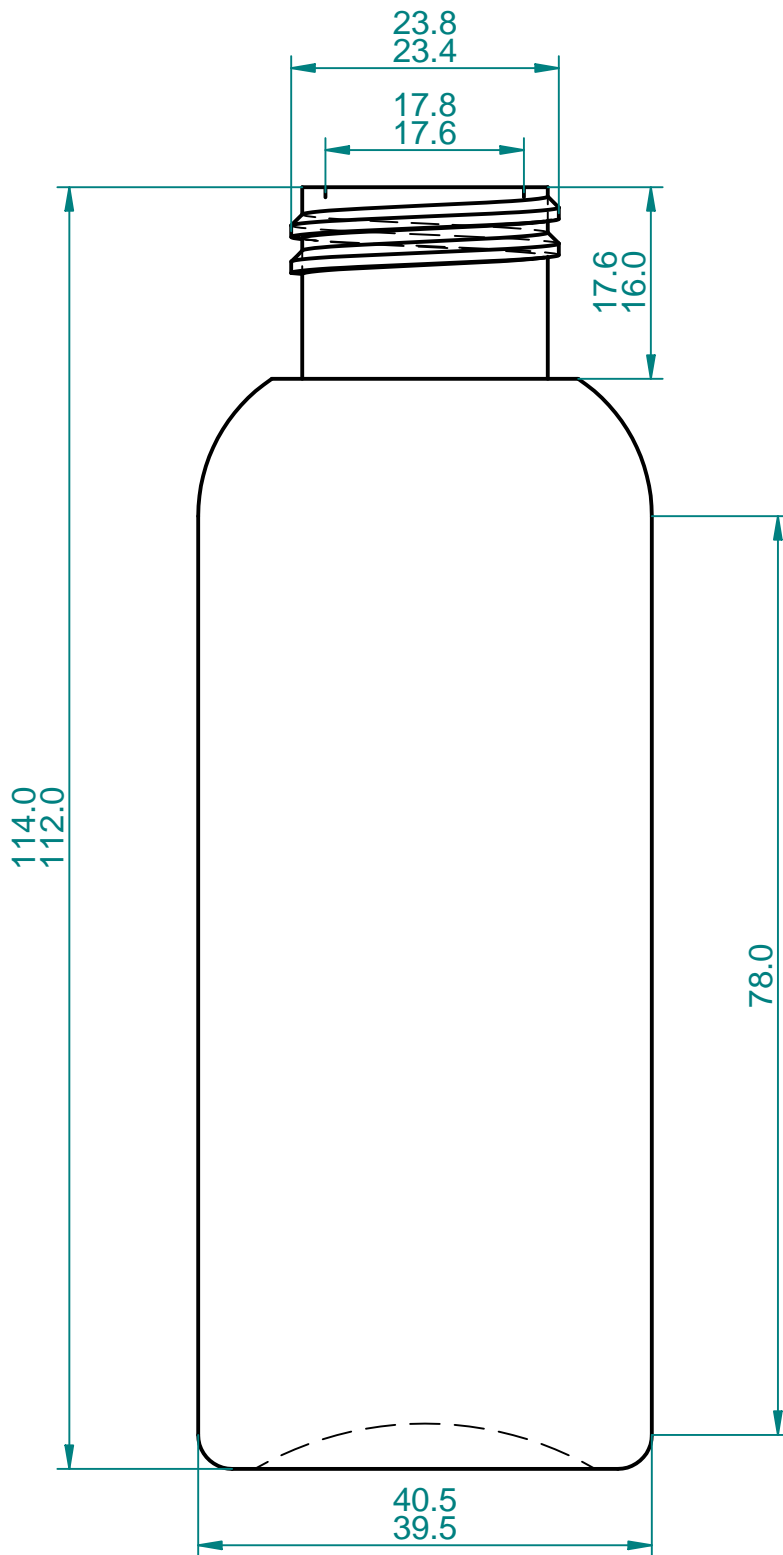



REVISION HISTORY		
REV	DESCRIPTION	DATE



UNLESS OTHERWISE SPECIFIED  
 DIMENSIONS ARE IN MILLIMETERS  
 ANGLES ±X.X°  
 2 PL ±X.XX 3 PL ±X.XXX

	DRAWN	DATE	
NAME	John	16/Jul/09	
CHECKED			TITLE
SCALE	1.5 : 1	SHEET 1 OF 1	100ml PET Boston
SIZE	FILE NAME: bottle customer.dft		REV
A4			1