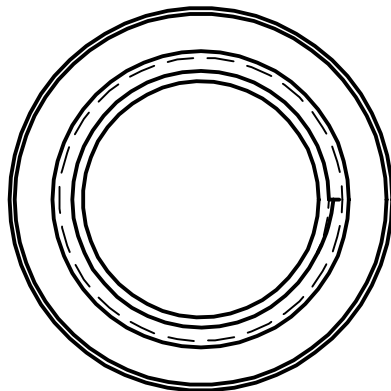
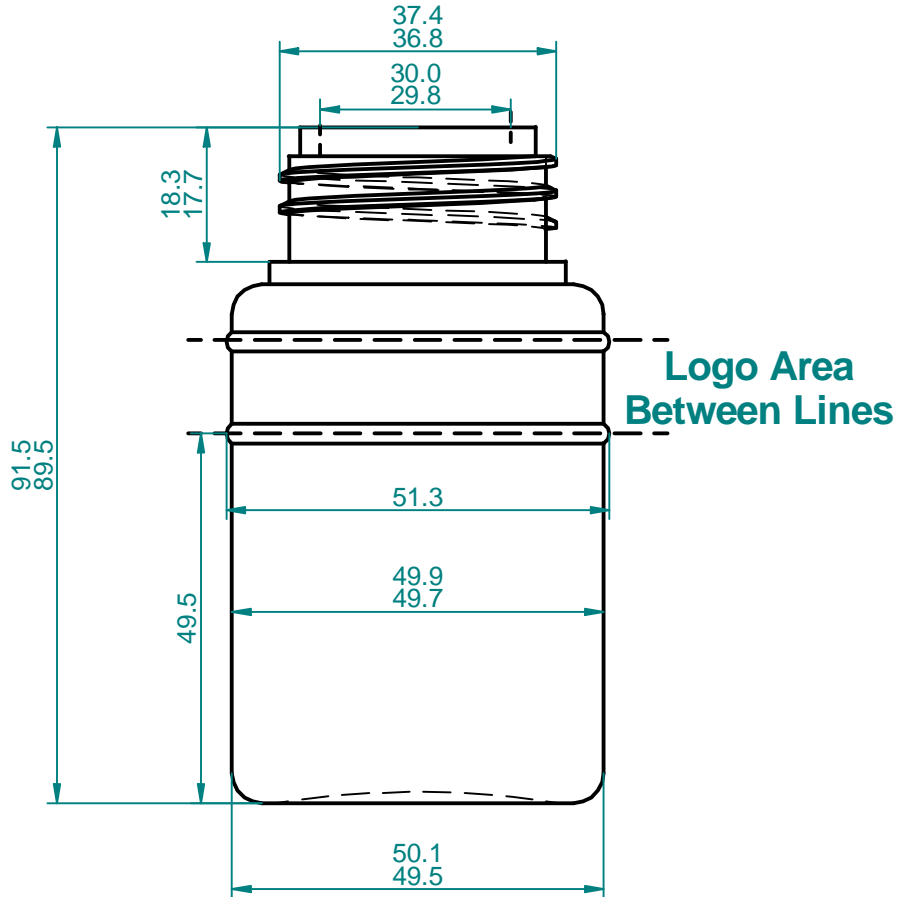



REVISION HISTORY		
REV	DESCRIPTION	DATE



Weight: 20g

UNLESS OTHERWISE SPECIFIED
DIMENSIONS ARE IN MILLIMETERS
ANGLES ±X.X°
2 PL ±X.XX 3 PL ±X.XXX

	DRAWN	DATE	 PACKAGING
NAME	John	21/Feb/21	
CHECKED			TITLE
SCALE	1 : 1	SHEET 1 OF 1	135ml Oil Sample HDPE
SIZE	FILE NAME: 135ml Bottle HDPE Customer.dft		REV
A4			2