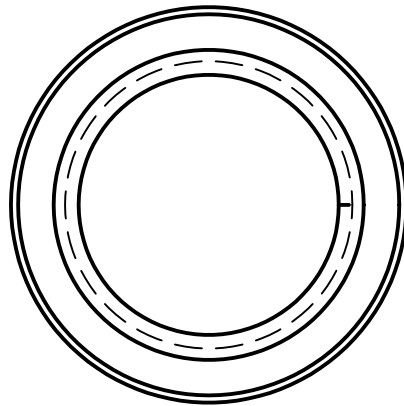
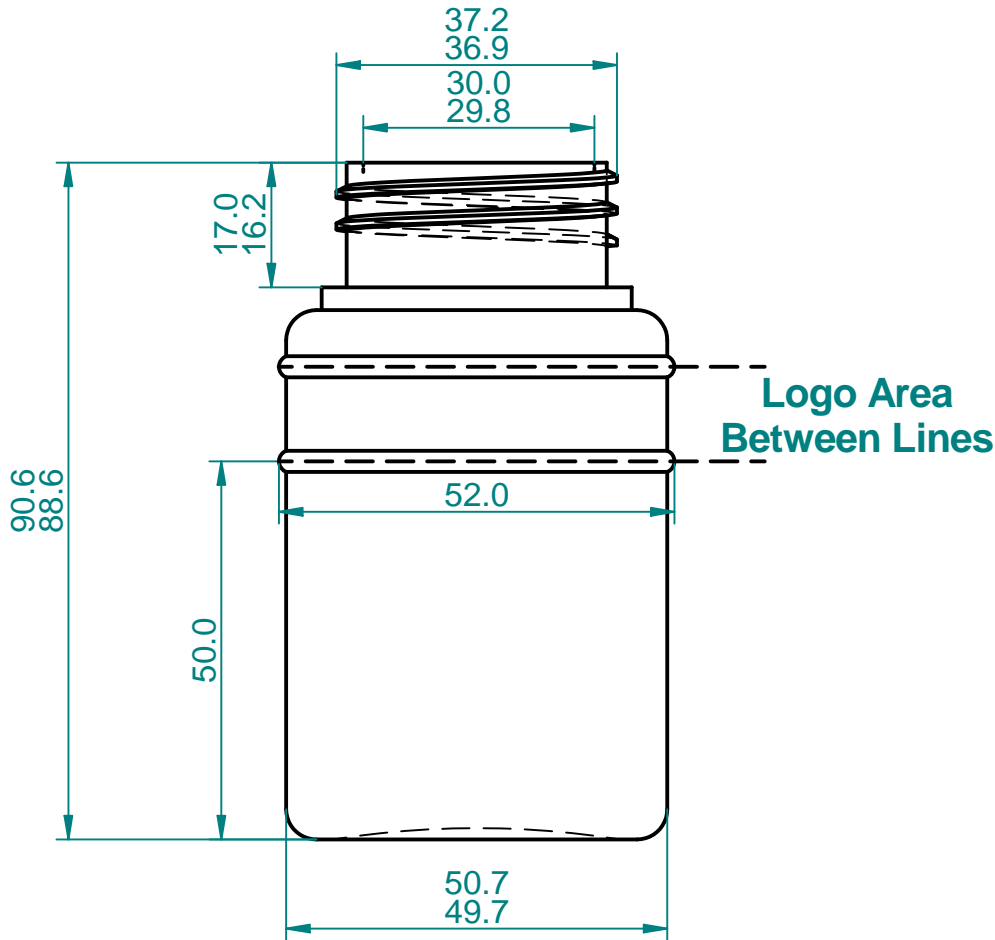


REVISION HISTORY

REV	DESCRIPTION	DATE



Weight: 24g

UNLESS OTHERWISE SPECIFIED
DIMENSIONS ARE IN MILLIMETERS
ANGLES ±X.X°
2 PL ±X.XX 3 PL ±X.XXX

	DRAWN	DATE	
NAME	John	25/Jan/12	
CHECKED			
SCALE	1:1	SHEET 1 OF 1	FILE NAME: 135ml Bottle PET Customer.dft
SIZE A4			