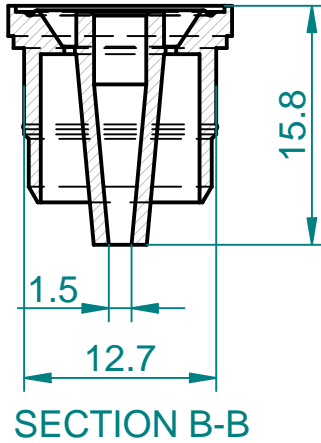
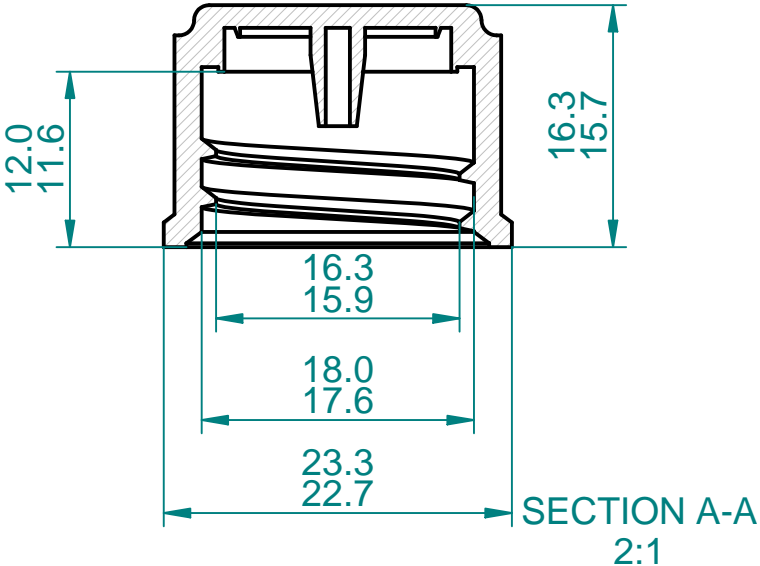
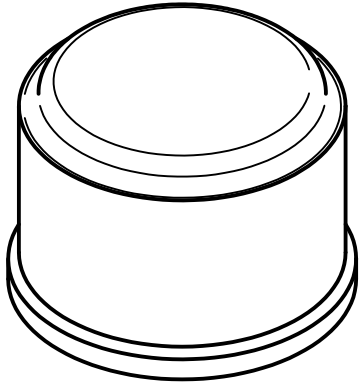
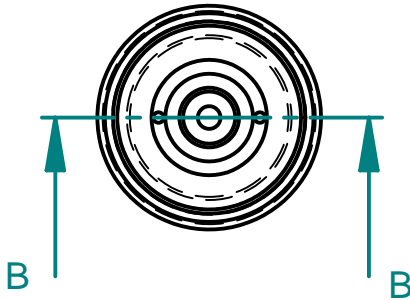
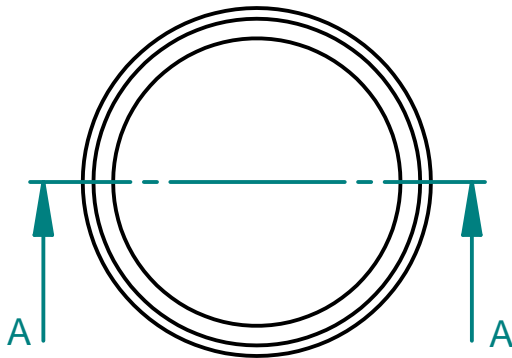


REVISION HISTORY		
REV	DESCRIPTION	DATE

Ribbed Finish (Not Shown)



UNLESS OTHERWISE SPECIFIED
DIMENSIONS ARE IN MILLIMETERS
ANGLES ±XX°
2 PL ±X.XX 3 PL ±X.XXX

	DRAWN	DATE	
NAME	John	26/Jan/12	
CHECKED			TITLE
SCALE	3.5:1	SHEET 1 OF 1	18410 Dropper Cap
SIZE	FILE NAME: Cap Customers.dft		REV
A4			1