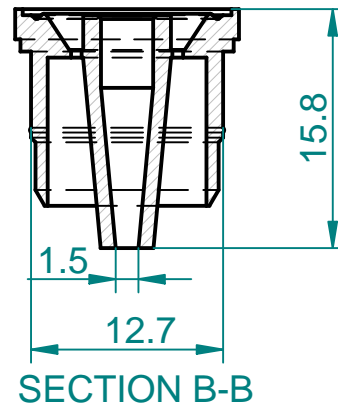
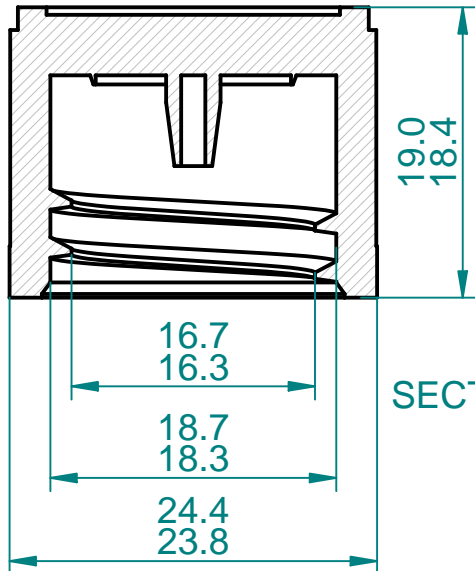
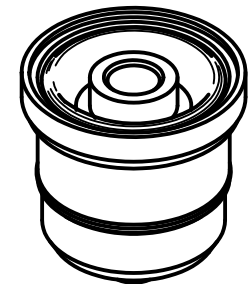
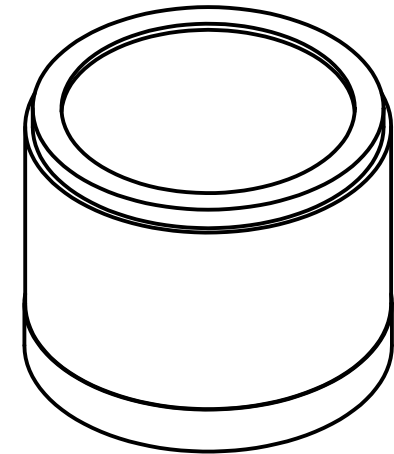
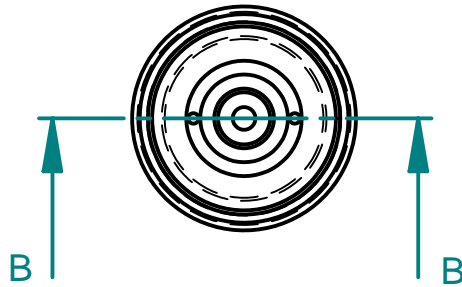
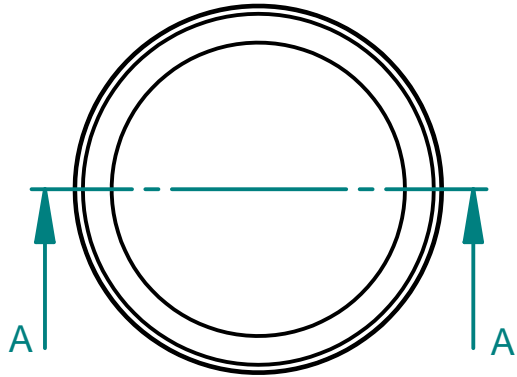


Ribbed Finish (Not Shown)

REVISION HISTORY		
REV	DESCRIPTION	DATE



UNLESS OTHERWISE SPECIFIED  
DIMENSIONS ARE IN MILLIMETERS  
ANGLES ±XX°  
2 PL ±X.XX 3 PL ±X.XXX

	DRAWN	DATE	
NAME	John	26/Jan/12	
CHECKED			TITLE
SCALE	3.5:1	SHEET 1 OF 1	18410 CRC Dripper Cap
SIZE	FILE NAME: Cap Customers.dft		REV
A4			1