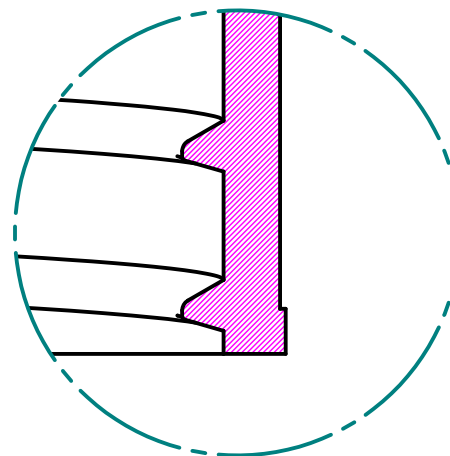
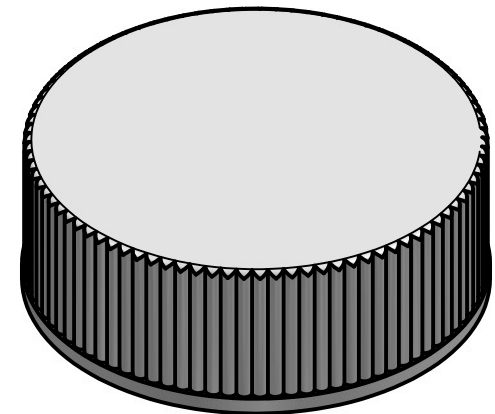
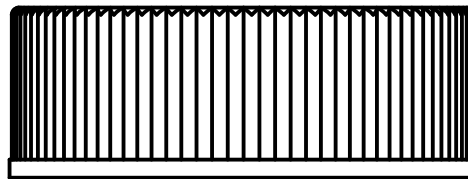
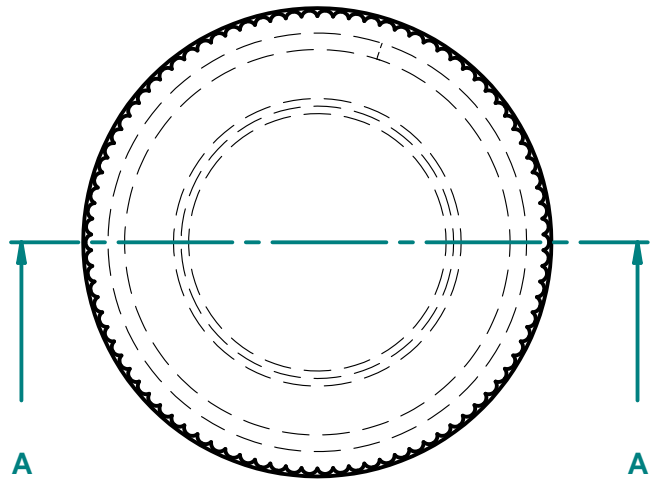
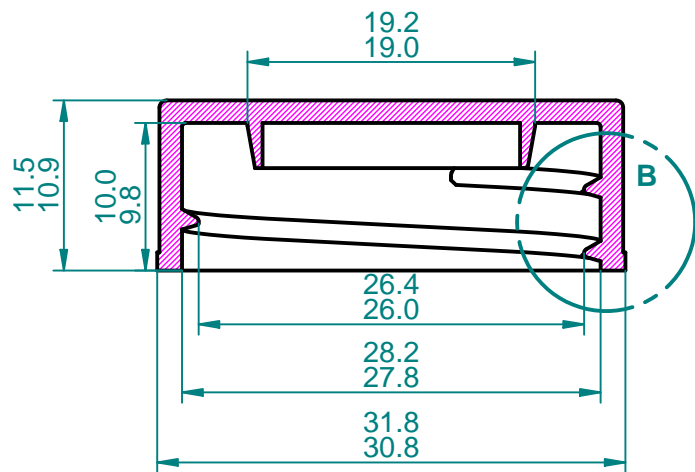


REVISION HISTORY		
REV	DESCRIPTION	DATE




DETAIL B  
5:1



SECTION A-A

UNLESS OTHERWISE SPECIFIED  
DIMENSIONS ARE IN MILLIMETERS  
ANGLES ±XX°  
2 FL ±X.XX 3 FL ±X.XXX

	DRAWN	DATE	
NAME	John	26/Jan/12	
CHECKED			TITLE
SCALE	2 : 1	SHEET 1 OF 1	28400 Wedge Cap
SIZE	FILE NAME: cap customers.dft		REV
A4			1