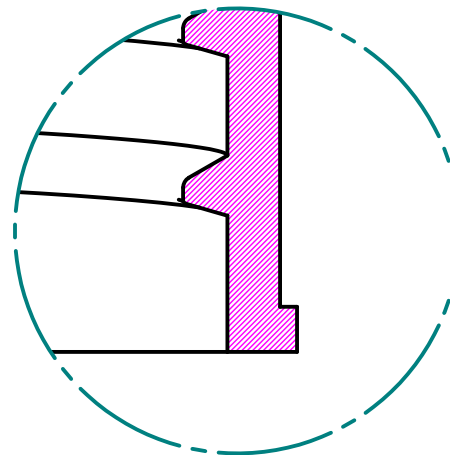
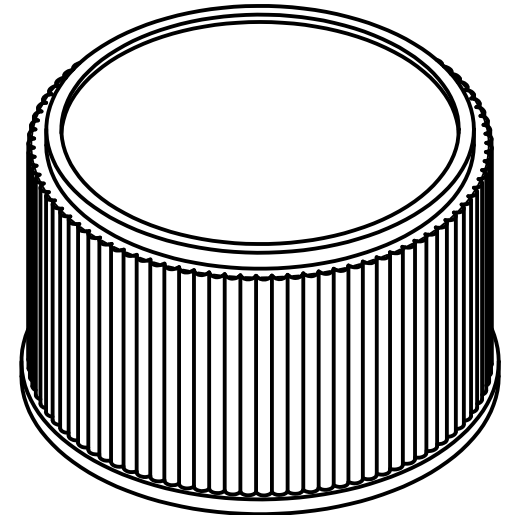
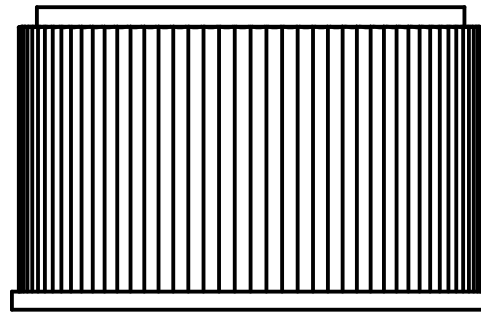
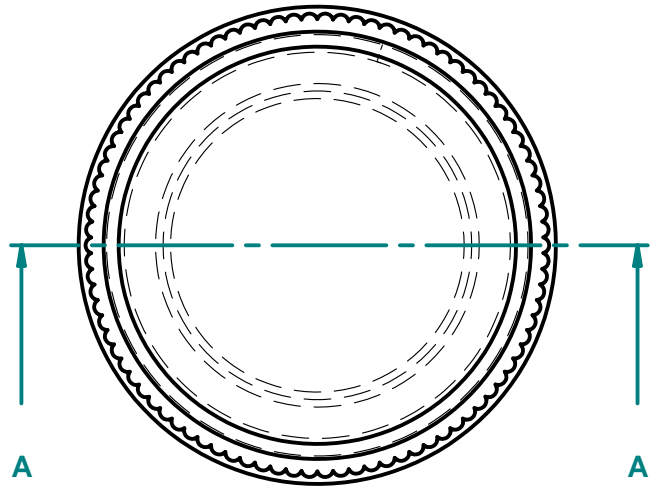
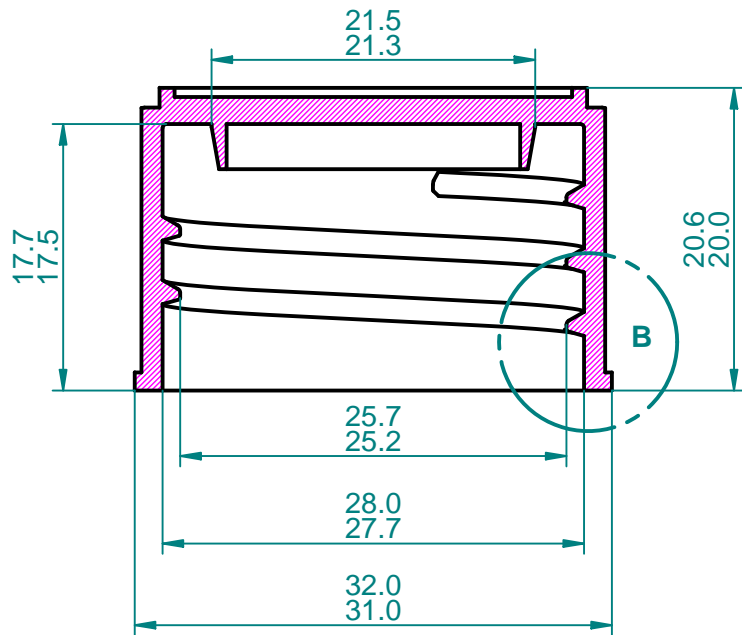


REVISION HISTORY

REV	DESCRIPTION	DATE




DETAIL B  
5:1



SECTION A-A

UNLESS OTHERWISE SPECIFIED  
DIMENSIONS ARE IN MILLIMETERS  
ANGLES ±XX°  
2 PL ±X.XX 3 PL ±X.XXX

	DRAWN	DATE	
NAME	John	28/Jan/12	
CHECKED		17/Feb/09	TITLE
SCALE	2 : 1	SHEET 1 OF 1	28410 Wedge Cap Plaspak
SIZE	FILE NAME: 28410CapDimsCustPPak.dft		REV
A4			1