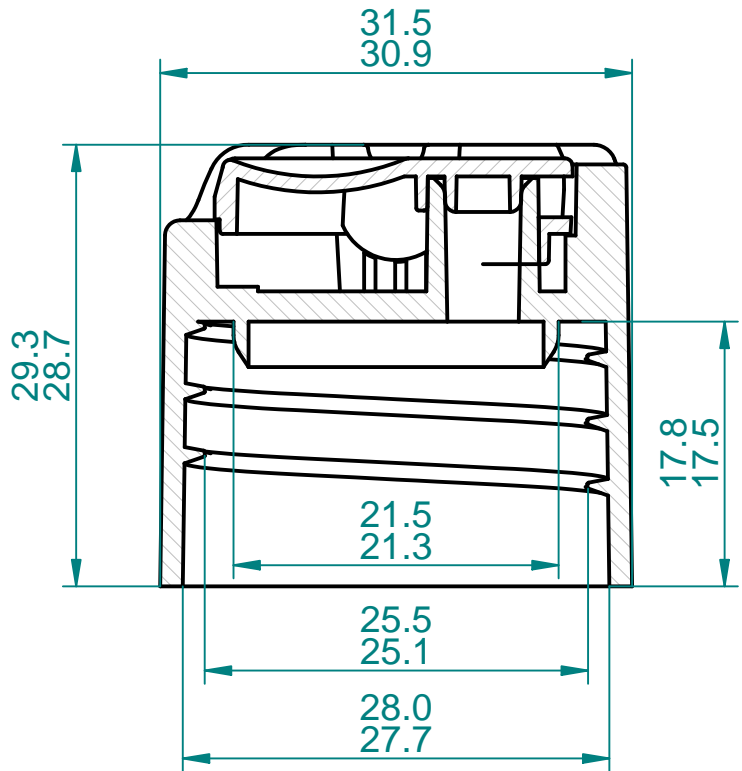
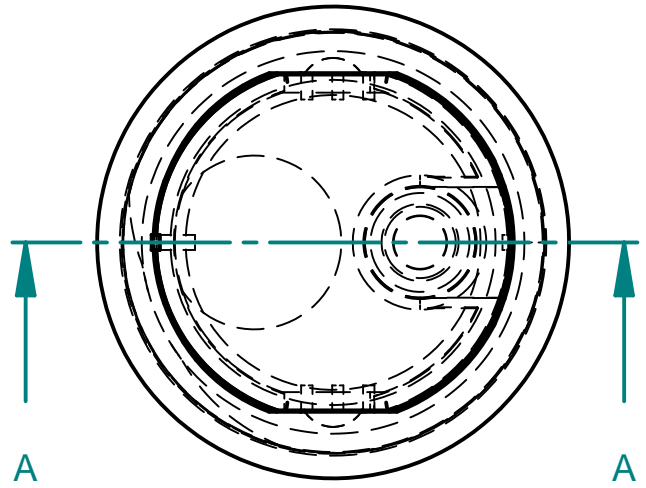



REVISION HISTORY		
REV	DESCRIPTION	DATE



SECTION A-A

UNLESS OTHERWISE SPECIFIED
 DIMENSIONS ARE IN MILLIMETERS
 ANGLES ±X.X°
 2 PL ±X.XX 3 PL ±X.XXX

	DRAWN	DATE	
NAME	John	29/Jan/12	
CHECKED			TITLE
SCALE	2 : 1	SHEET 1 OF 1	28410 Disc Cap
SIZE	A4	FILE NAME: 28410CapandDisc.dft	REV
			1