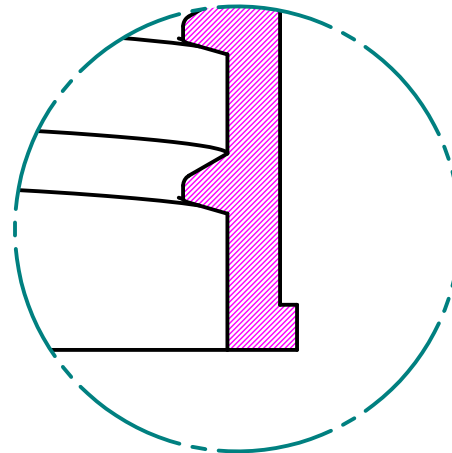
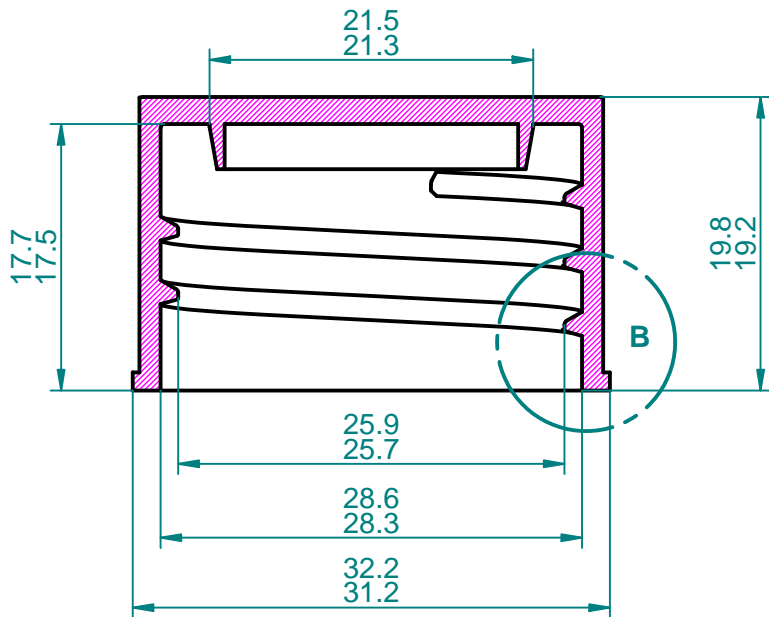
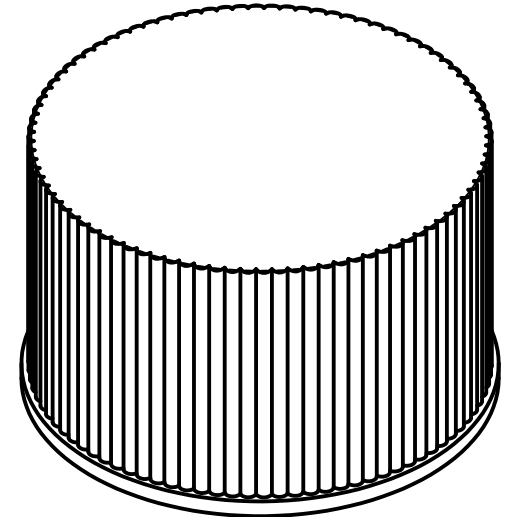
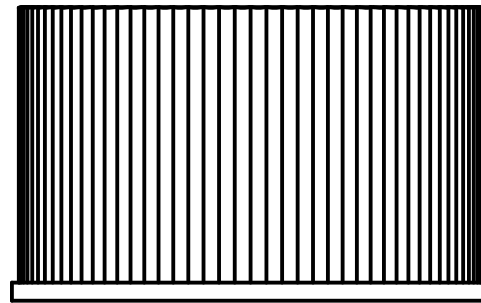
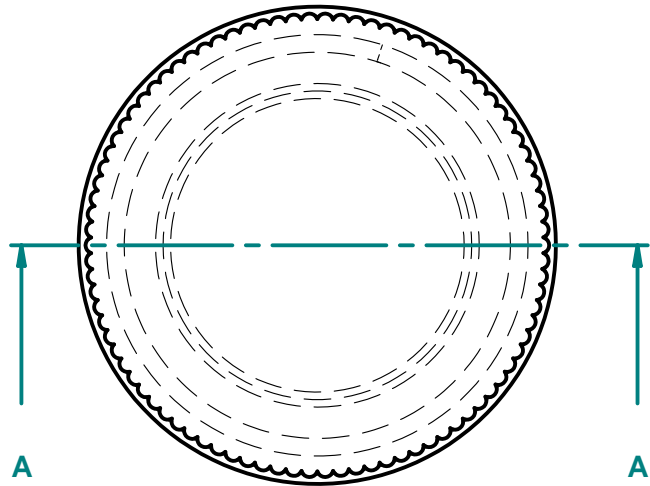



REVISION HISTORY		
REV	DESCRIPTION	DATE



DETAIL B
5:1

SECTION A-A

UNLESS OTHERWISE SPECIFIED
DIMENSIONS ARE IN MILLIMETERS
ANGLES $\pm XX^\circ$
2 PL $\pm X.XX$ 3 PL $\pm X.XXX$

	DRAWN	DATE	
NAME	John	26/Jan/12	
CHECKED		17/Feb/09	TITLE
SCALE	2 : 1	SHEET 1 OF 1	28410 Wedge Cap
SIZE	FILE NAME: 28410WedgeCapDimsCust.dft		REV
A4			1