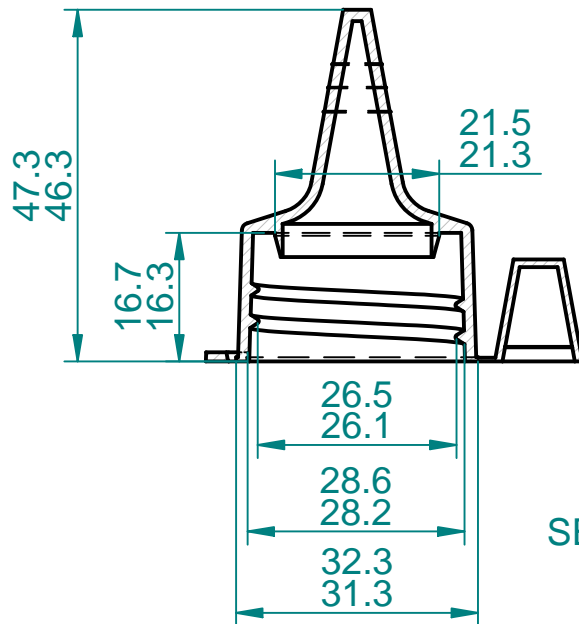
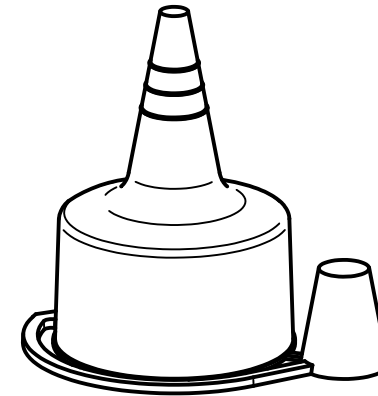
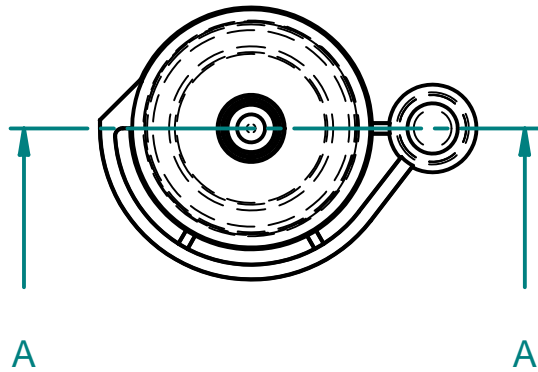



REVISION HISTORY		
REV	DESCRIPTION	DATE

Ribbing Not Shown



UNLESS OTHERWISE SPECIFIED  
DIMENSIONS ARE IN MILLIMETERS  
ANGLES ±XX°  
2 PL ±X.XX 3 PL ±X.XXX

	DRAWN	DATE	 <b>AMP PACKAGING</b>
NAME	John	01/26/12	
CHECKED			<b>Witches Cap Tabbed</b>
SCALE	1:1	SHEET 1 OF 1	
SIZE	FILE NAME: 28410WitchesCap.dft		REV
<b>A4</b>			1