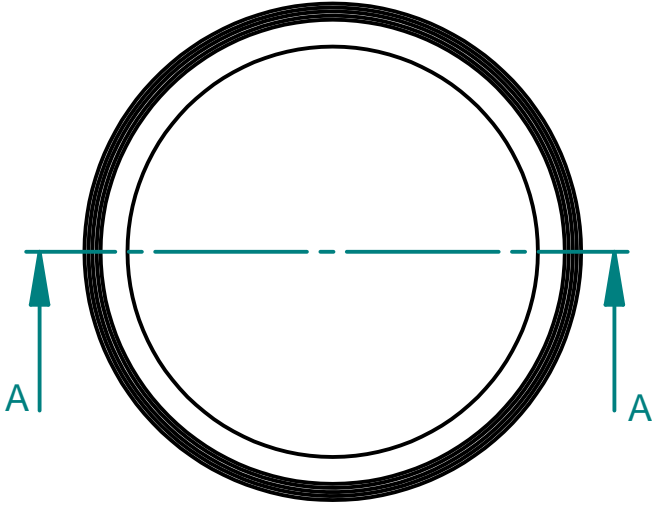
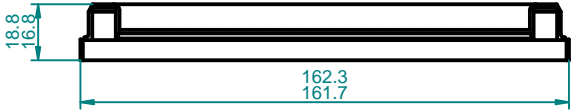


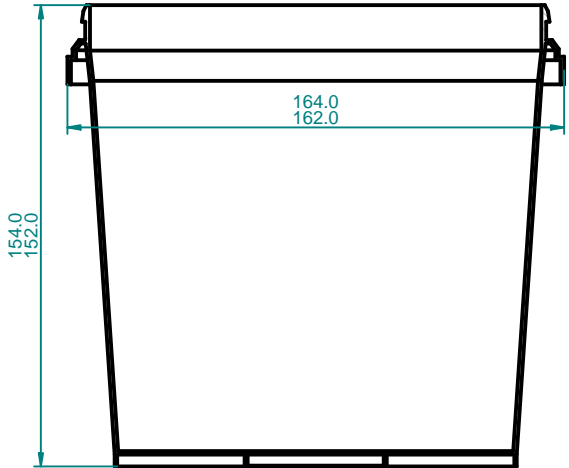
REVISION HISTORY		
REV	DESCRIPTION	DATE



Lid




Pail



SECTION A-A

UNLESS OTHERWISE SPECIFIED
DIMENSIONS ARE IN MILLIMETERS
ANGLES ±X.X°
2 PL ±X.XX 3 PL ±X.XXX

	DRAWN	DATE	
NAME	John	29/Jan/12	
CHECKED			TITLE
SCALE	0.4:1	SHEET 1 OF 1	Viscount 2L Pail Lid
SIZE	FILE NAME: Complete.dft		REV
A4			1