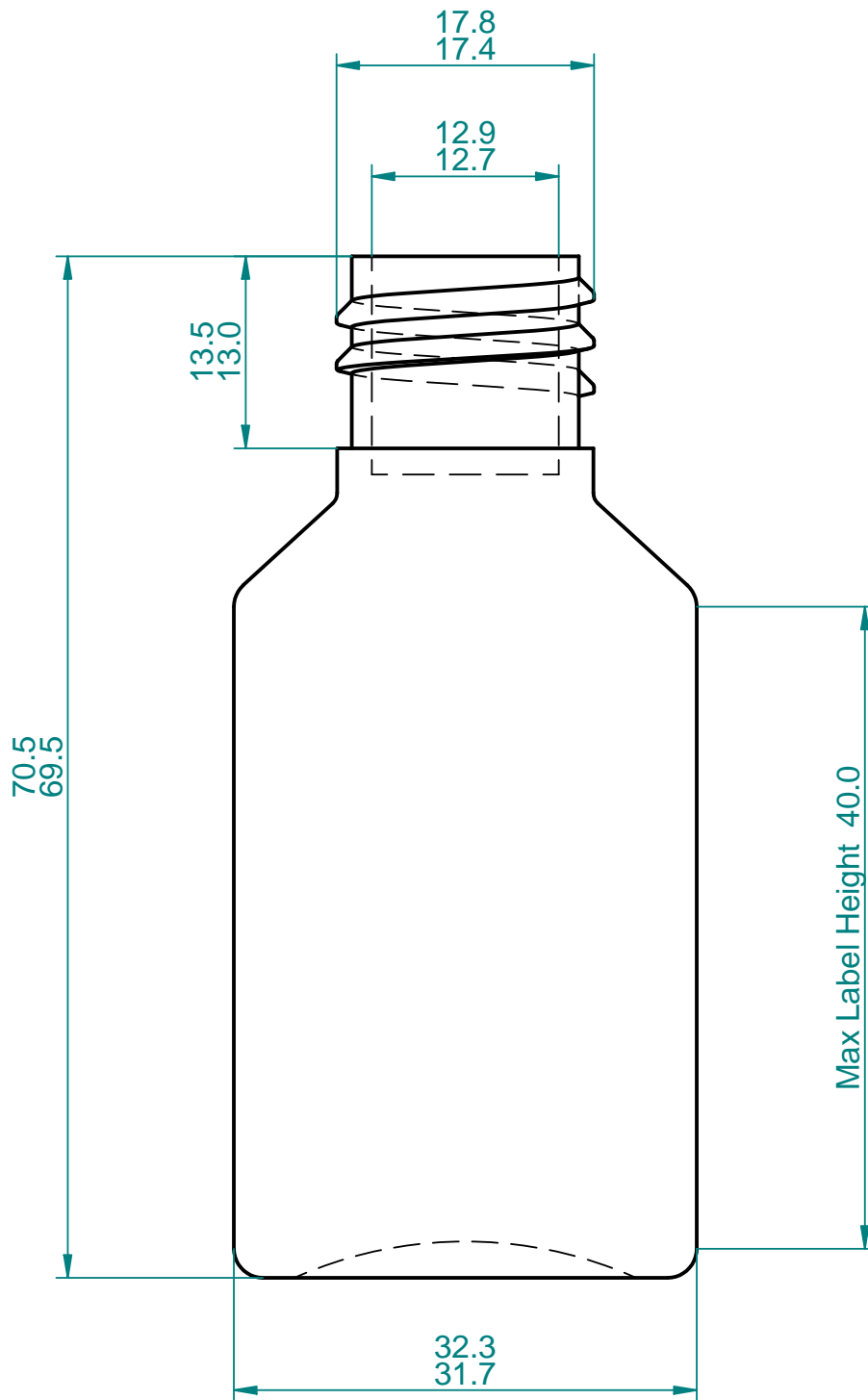


REVISION HISTORY		
REV	DESCRIPTION	DATE



UNLESS OTHERWISE SPECIFIED  
 DIMENSIONS ARE IN MILLIMETERS  
 ANGLES ±XX°  
 2 PL ±X.XX 3 PL ±X.XXX

	DRAWN	DATE	
NAME	John	15/Jul/12	
CHECKED			TITLE
SCALE	2 : 1	SHEET 1 OF 1	30ml PET Bottle
SIZE	A4	FILE NAME: Bottle customer.dft	REV
			1