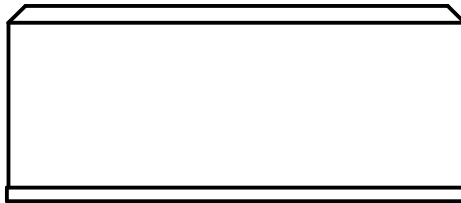
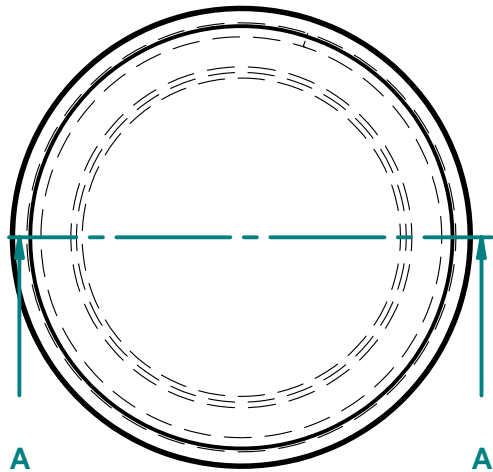
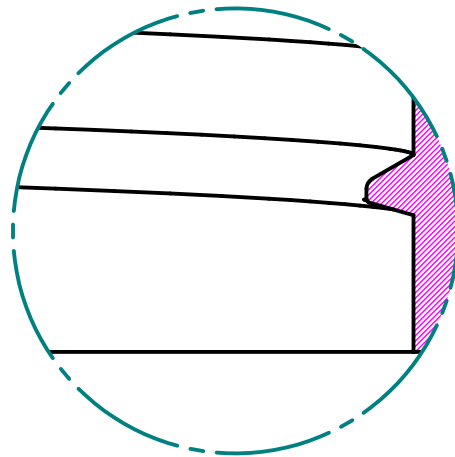
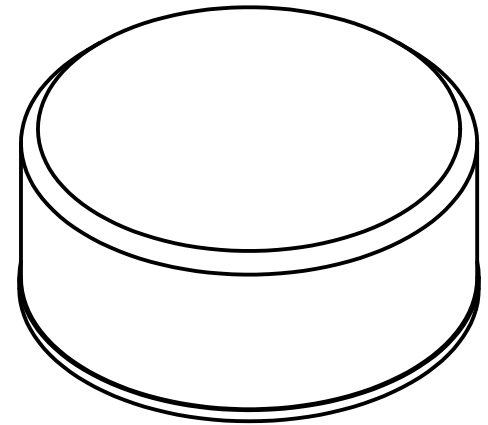


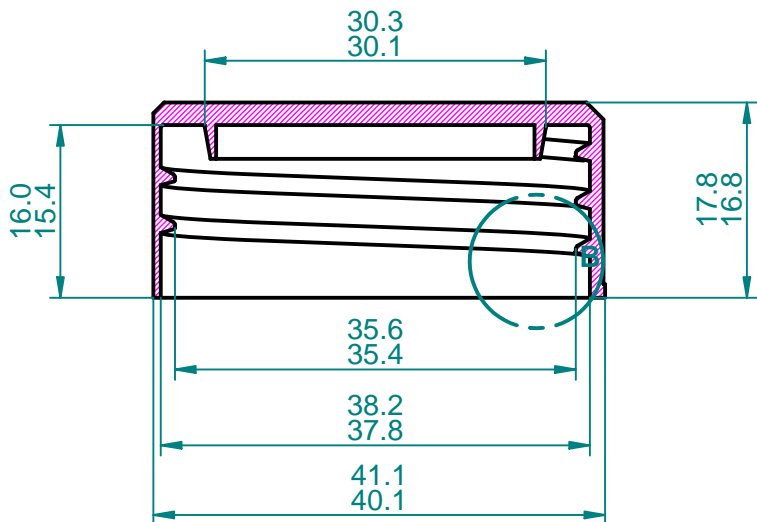
REVISION HISTORY		
REV	DESCRIPTION	DATE



Ribbing Not Shown




DETAIL B
5:1



SECTION A-A

UNLESS OTHERWISE SPECIFIED
DIMENSIONS ARE IN MILLIMETERS
ANGLES ±XX°
2 PL ±X.XX 3 PL ±X.XXX

	DRAWN	DATE	
NAME	John	28/Jan/12	
CHECKED		17/Feb/09	TITLE
SCALE	1.5 : 1	SHEET 1 OF 1	38410 Wedge Cap
SIZE	FILE NAME: 38410WedgeCapDimsCust.dft		REV
A4			1