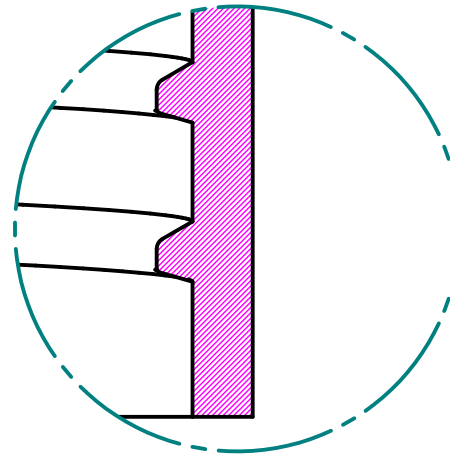
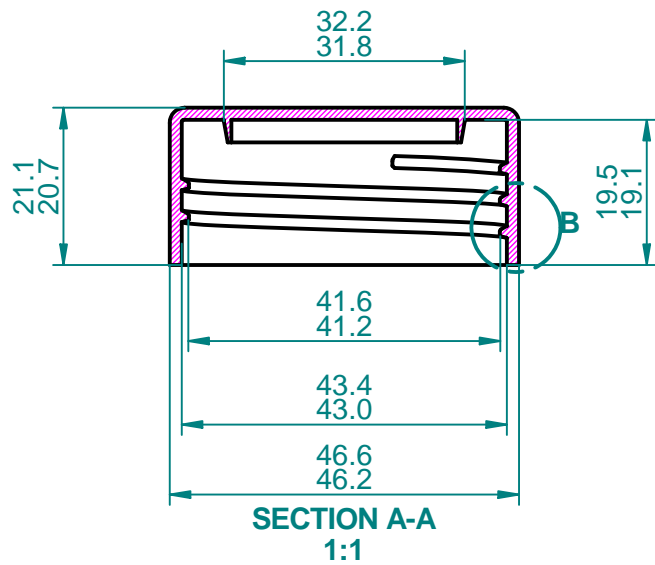
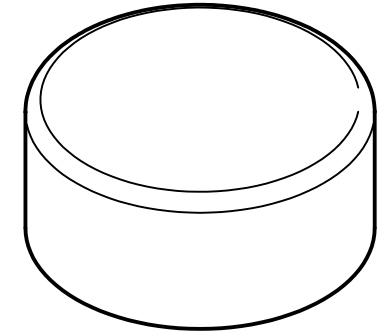
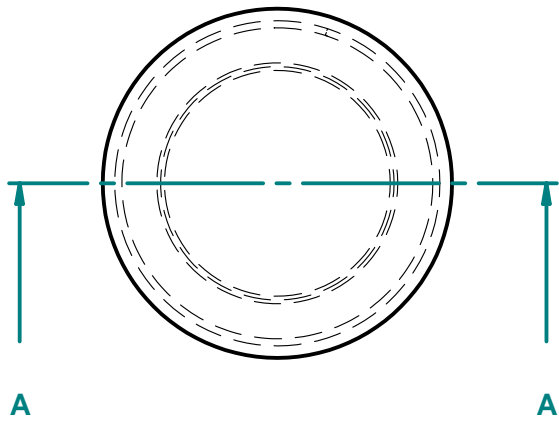



REVISION HISTORY		
REV	DESCRIPTION	DATE



DETAIL B
5:1

UNLESS OTHERWISE SPECIFIED
DIMENSIONS ARE IN MILLIMETERS
ANGLES $\pm XX^\circ$
2 FL $\pm X.XX$ 3 FL $\pm X.XXX$

	DRAWN	DATE	
NAME	John	28/Jan/12	
CHECKED			TITLE
SCALE	1 : 1	SHEET 1 OF 1	43415 Foam Refill
SIZE	FILE NAME: cap.dft		REV
A4			1