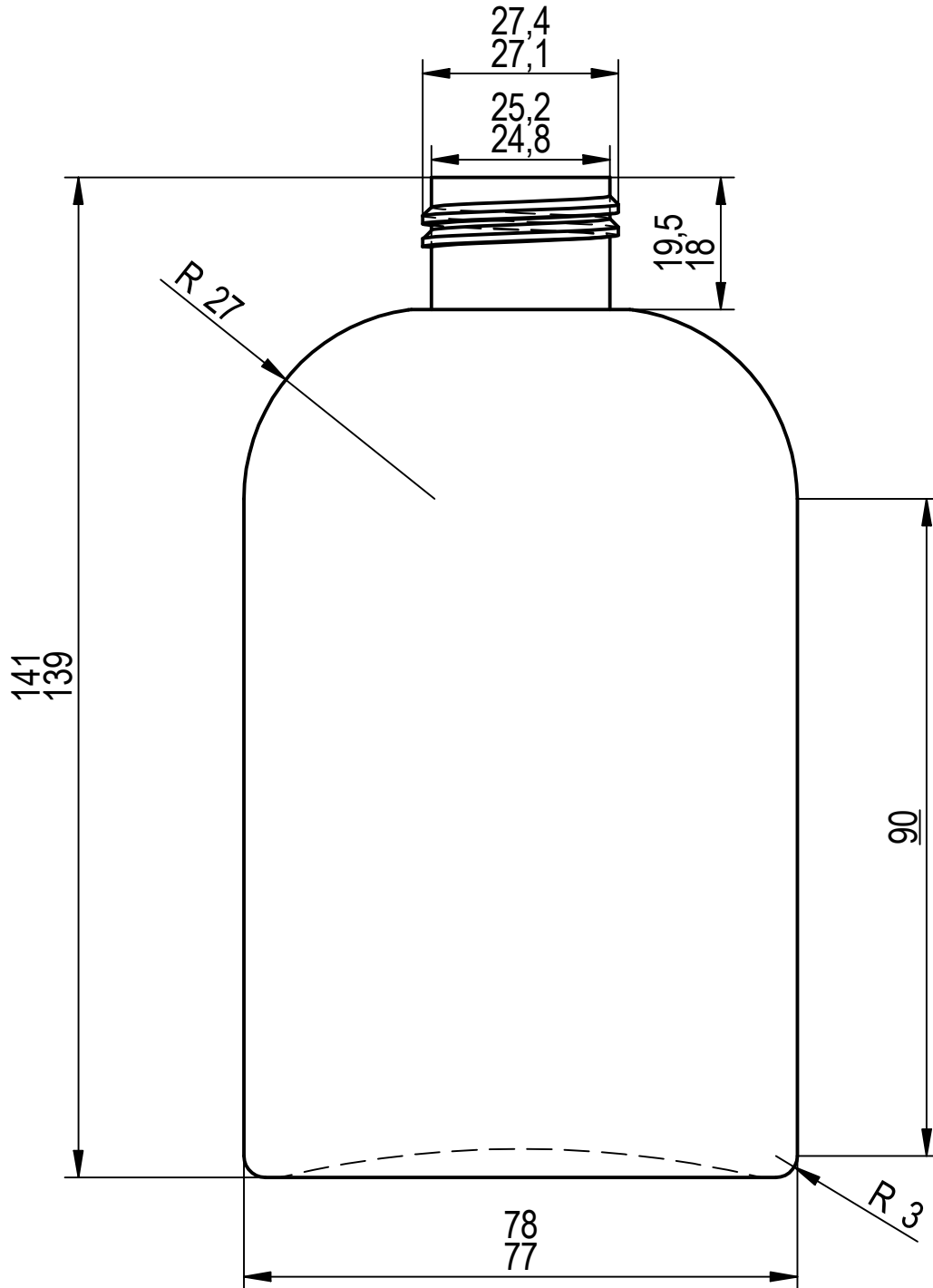



REVISION HISTORY

REV	DESCRIPTION	DATE

Max Rec. Label Size
90mm High x 238 Long



UNLESS OTHERWISE SPECIFIED
DIMENSIONS ARE IN MILLIMETERS
ANGLES ±X.X°
2 PL ±X.XX 3 PL ±X.XXX

	DRAWN	DATE	 ANT PACKAGING
NAME	John	04/May/17	
CHECKED			TITLE
SCALE		SHEET 1 OF 1	500MB SquatPET 28410
SIZE A4	FILE NAME: 500Squat Boston28410CustomerDims.dft		REV 1