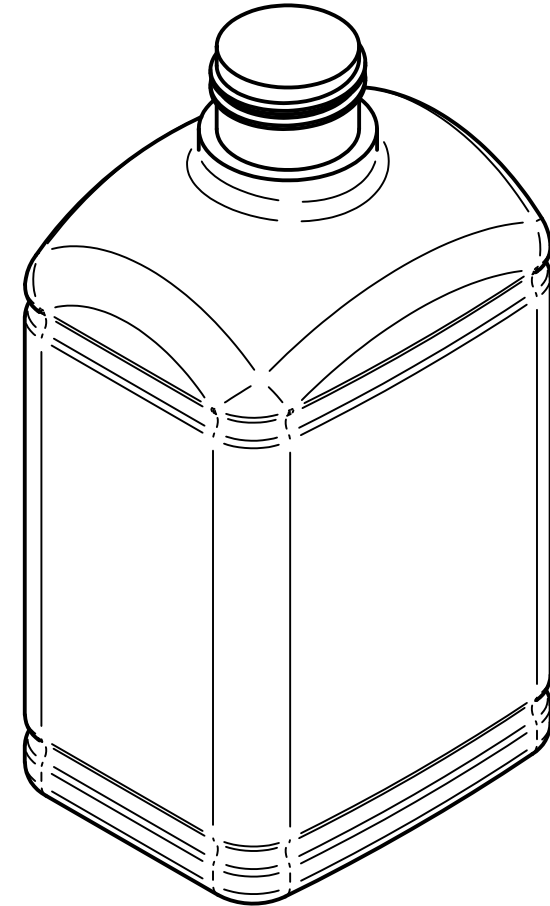
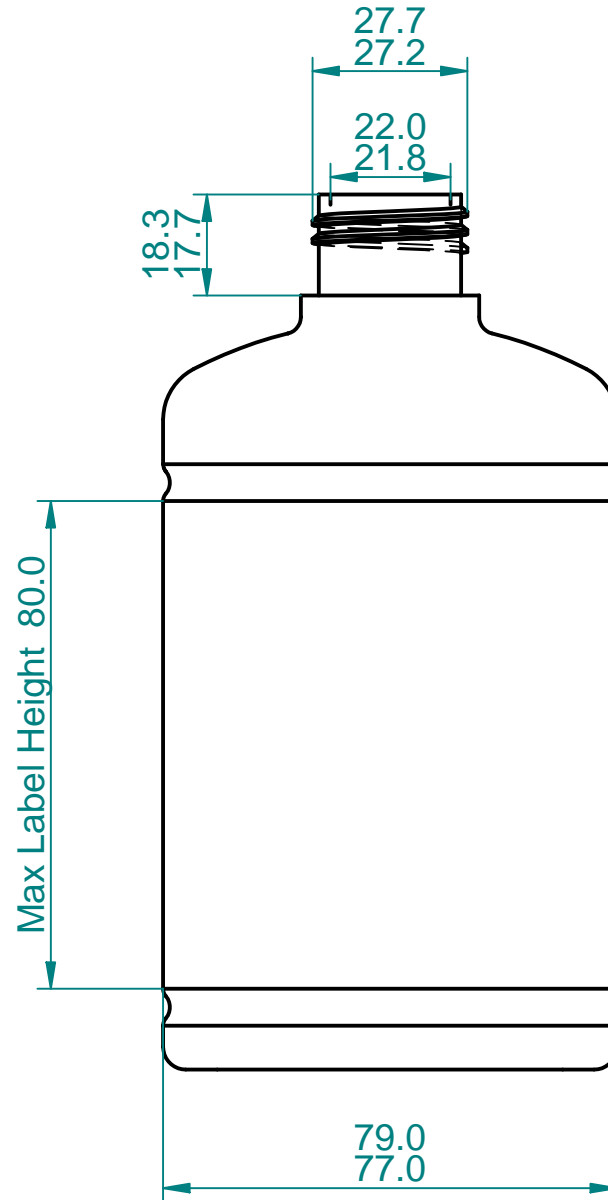
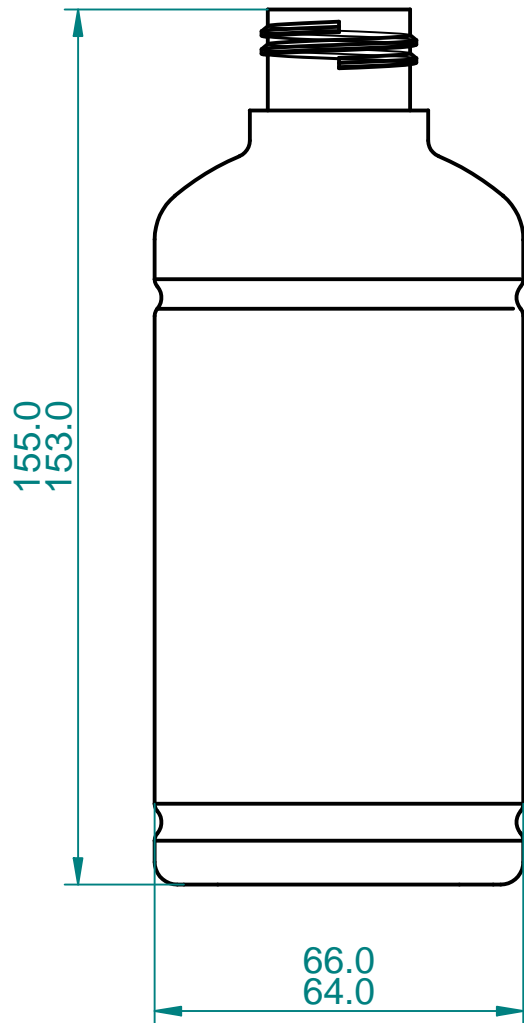



REVISION HISTORY

REV	DESCRIPTION	DATE



UNLESS OTHERWISE SPECIFIED
DIMENSIONS ARE IN MILLIMETERS
ANGLES ±X.X°
2 PL ±X.XX 3 PL ±X.XXX

	DRAWN	DATE	
NAME	John	26/Jan/12	
CHECKED			TITLE
SCALE		SHEET 1 OF 1	500ml Rect HDPE 28410
SIZE	FILE NAME: bottle500Rect28410.dft		REV
A4			1