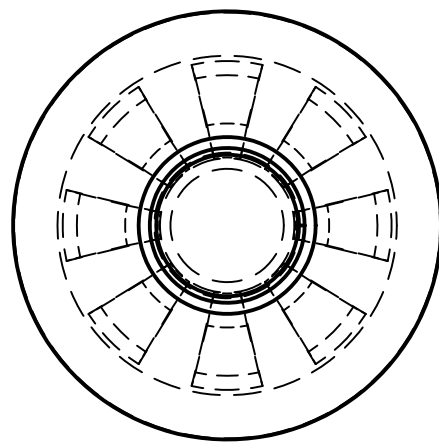
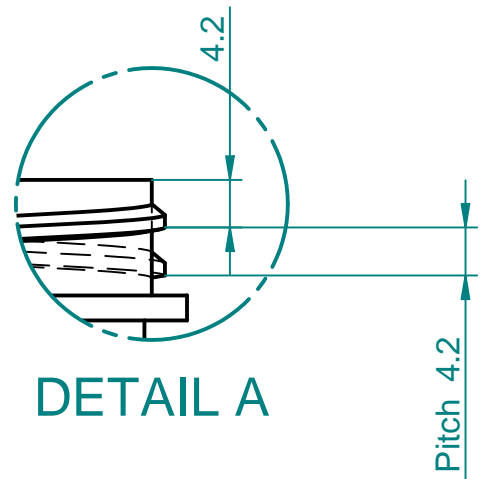
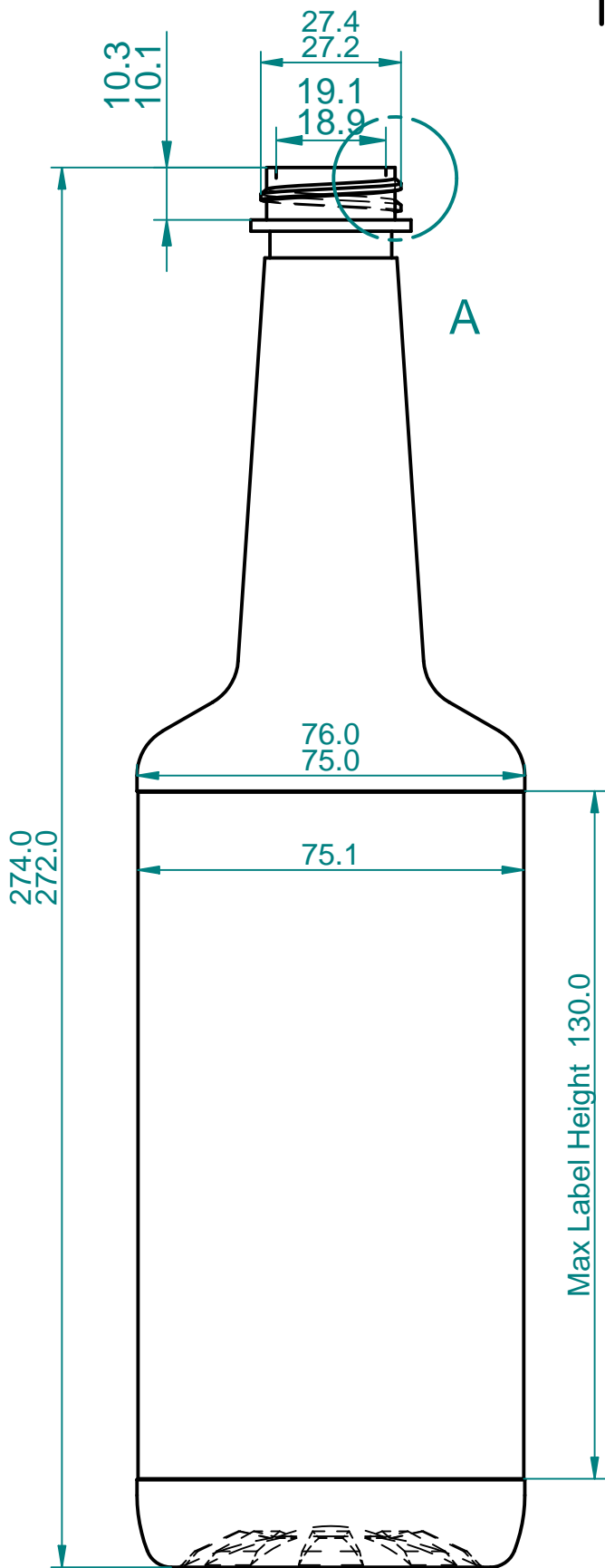



REVISION HISTORY		
REV	DESCRIPTION	DATE



0.75 : 1

UNLESS OTHERWISE SPECIFIED
DIMENSIONS ARE IN MILLIMETERS
ANGLES ±X.X°
2 PL ±X.XX 3 PL ±X.XXX

	DRAWN	DATE	
NAME	John	26/Jan/12	
CHECKED			TITLE
SCALE		SHEET 1 OF 1	750ml Cordial
SIZE A4	FILE NAME: 750 Customer Specs.dft		REV 1