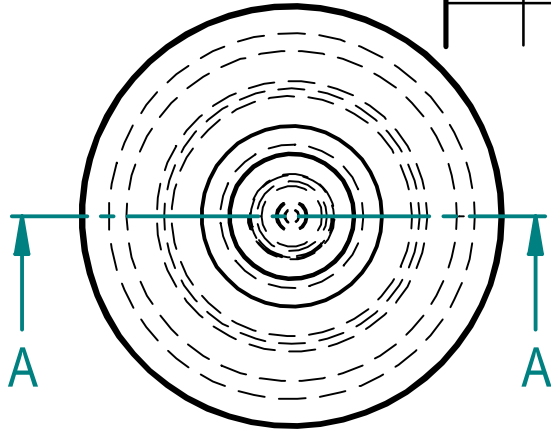
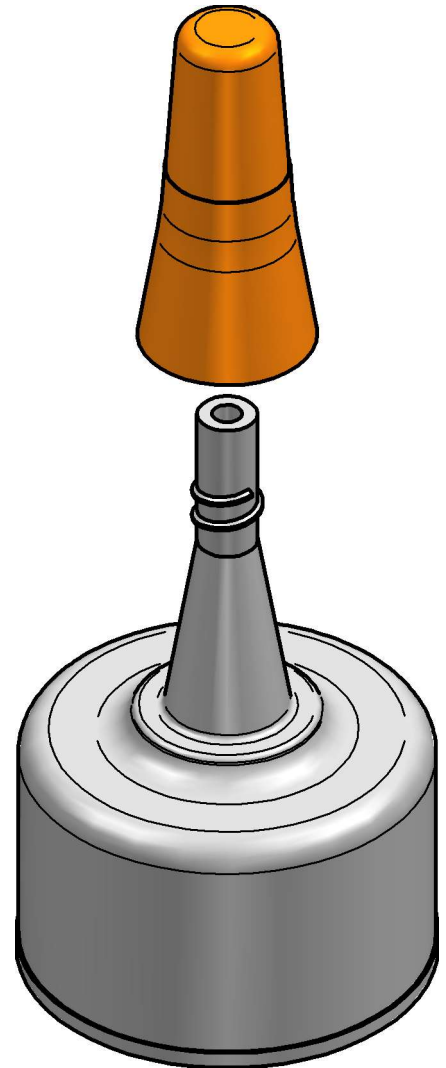
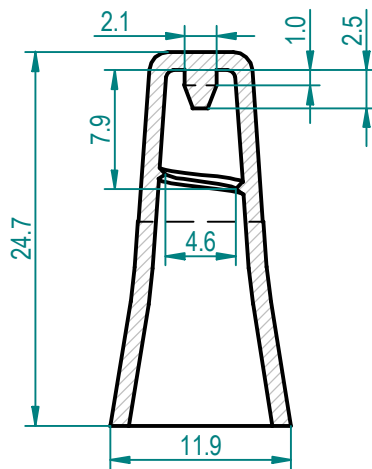


REVISION HISTORY

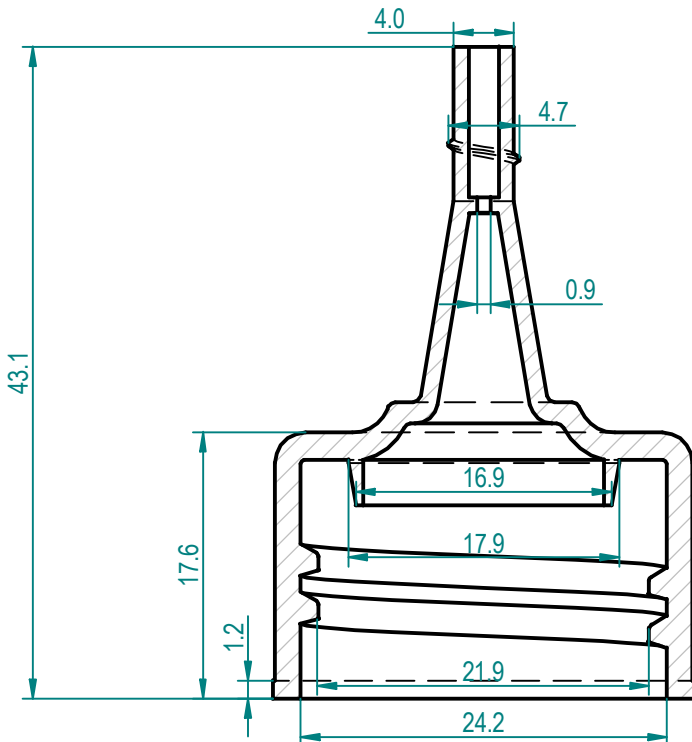
REV	DESCRIPTION	DATE



1.5 turns thread x Pitch 2mm




2 Turns of Thread x 3.18mm Pitch



SECTION A-A

UNLESS OTHERWISE SPECIFIED
DIMENSIONS ARE IN MILLIMETERS
ANGLES ±X.X°
2 PL ±X.XX 3 PL ±X.XXX

	DRAWN	DATE	 TITLE 24410 Witches Cap Screw
NAME	John	08/Nov/12	
CHECKED			
SCALE	2.5:1	SHEET 1 OF 1	
SIZE A4	FILE NAME: Complete.dft		
		REV	4