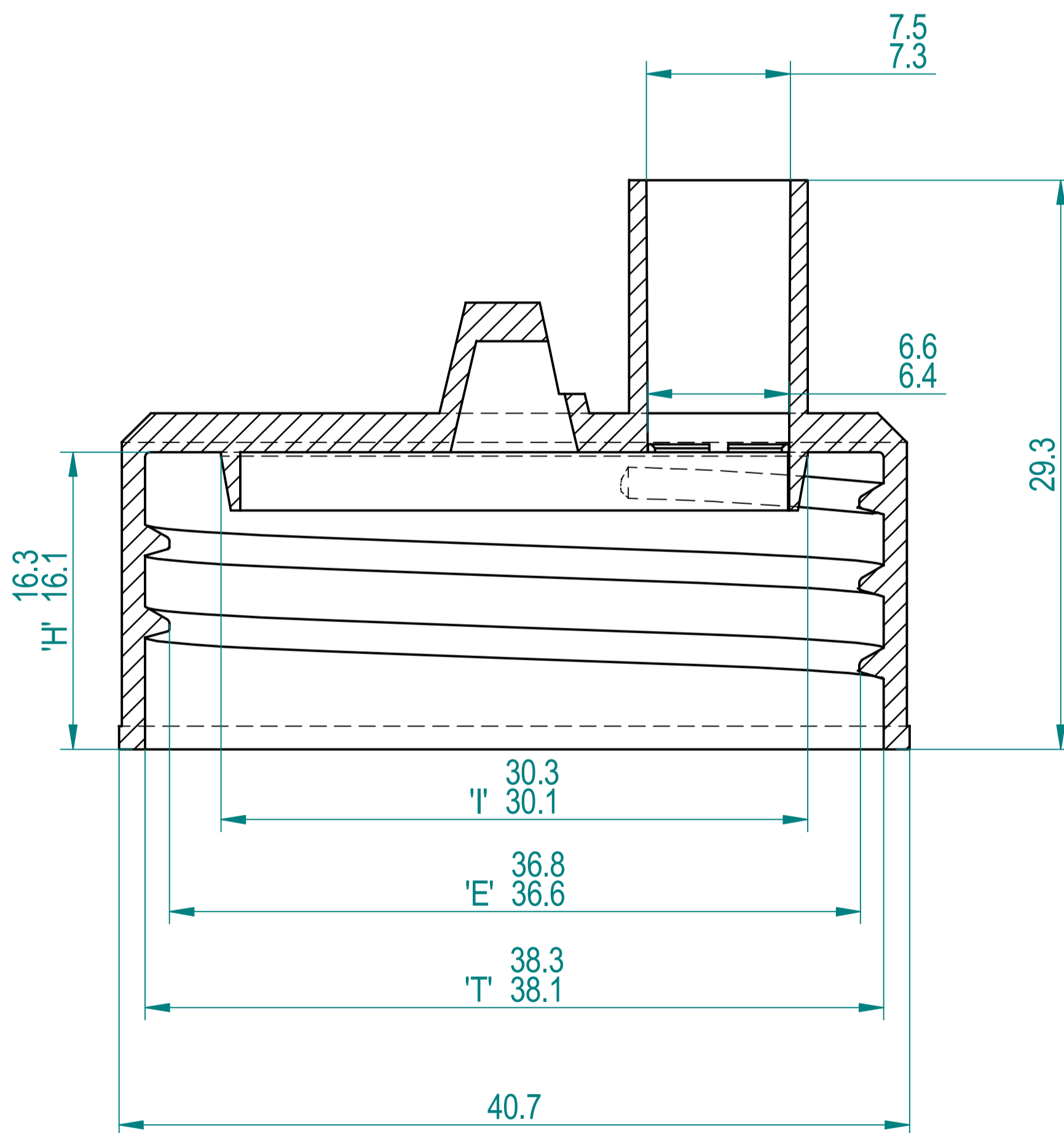
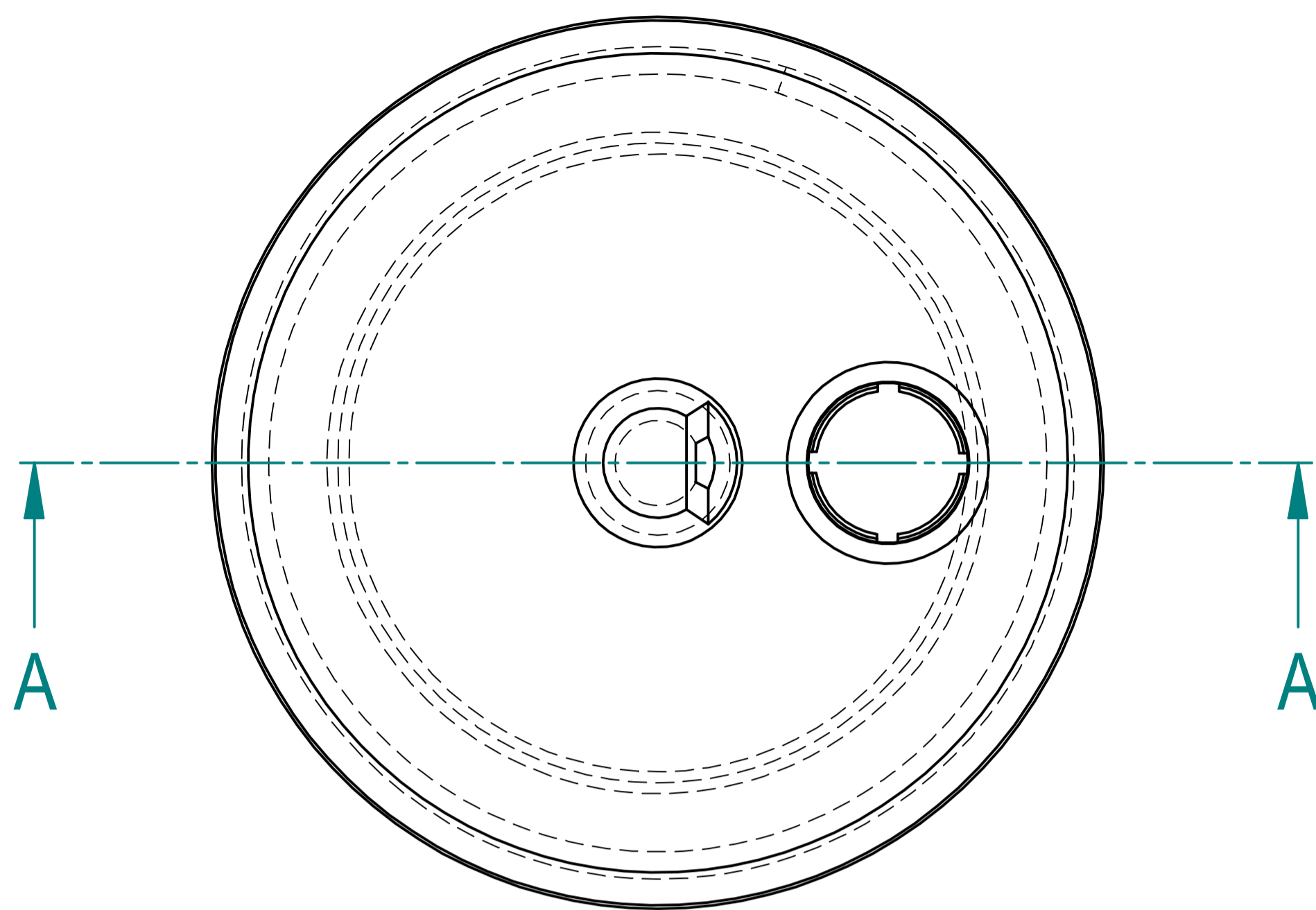



REVISION HISTORY		
REV	DESCRIPTION	DATE



SECTION A-A

UNLESS OTHERWISE SPECIFIED
DIMENSIONS ARE IN MILLIMETERS
ANGLES $\pm X.X^\circ$
2 PL $\pm X.XX$ 3 PL $\pm X.XXX$

	DRAWN	DATE	 Am PACKAGING
NAME	jdcla	09/Oct/23	
CHECKED			TITLE
SCALE	2 : 1	SHEET 1 OF 1	Sampler Cap
SIZE	FILE NAME: cap.dft		REV
A4			7