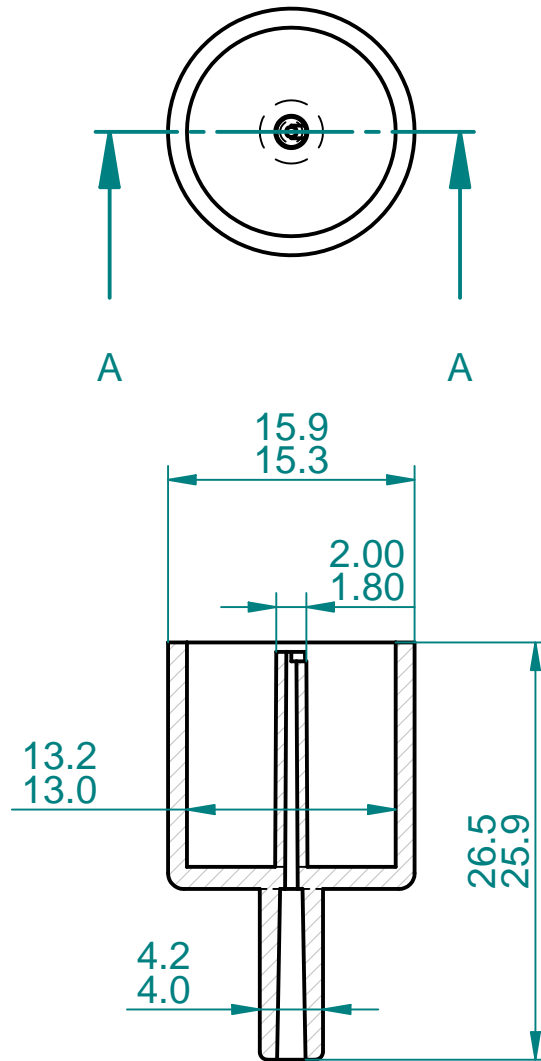
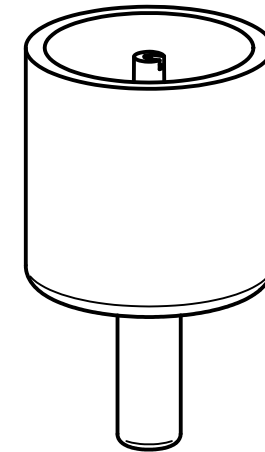


REVISION HISTORY

REV	DESCRIPTION	DATE



SECTION A-A



Revision 2
12/11/15

UNLESS OTHERWISE SPECIFIED
DIMENSIONS ARE IN MILLIMETERS
ANGLES ±X.X°
2 PL ±X.XX 3 PL ±X.XXX

	DRAWN	DATE	
NAME	John	15/Jul/12	
CHECKED			TITLE
SCALE	2:1	SHEET 1 OF 1	Live Sample Nozzle
SIZE	A4	FILE NAME: Live Sampler Nozzle Cust.dft	REV
			1