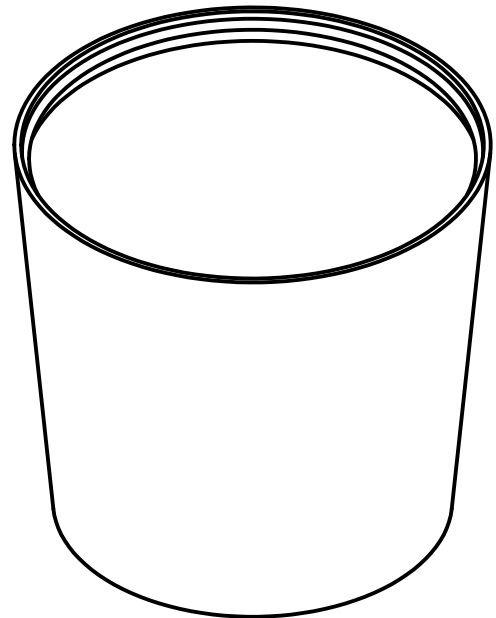
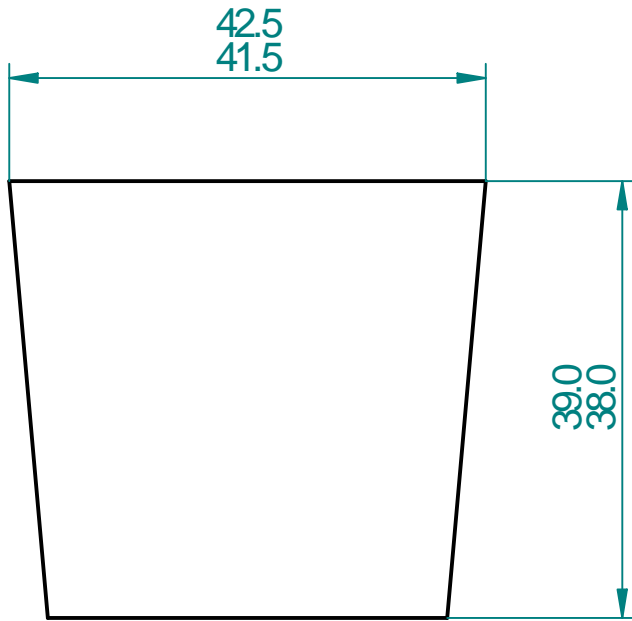



REVISION HISTORY

REV	DESCRIPTION	DATE



UNLESS OTHERWISE SPECIFIED
 DIMENSIONS ARE IN MILLIMETERS
 ANGLES ±X.X°
 2 PL ±X.XX 3 PL ±X.XXX

	DRAWN	DATE	
NAME	John	16/Aug/12	
CHECKED			TITLE
SCALE	1.5 : 1	SHEET 1 OF 1	
SIZE A4	FILE NAME: Measure.dft		REV 1