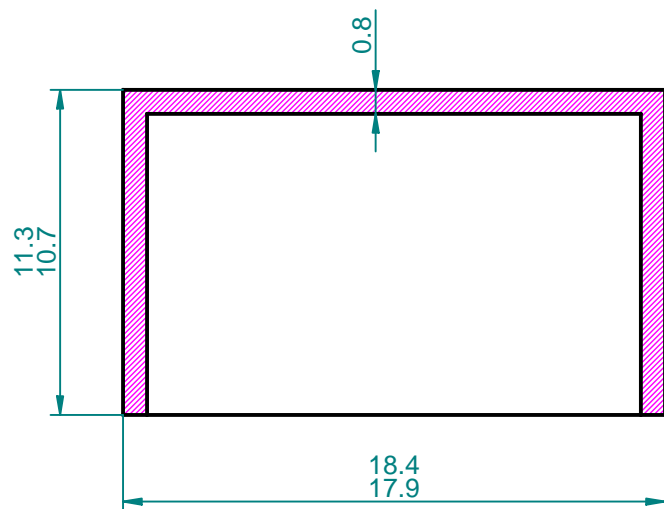
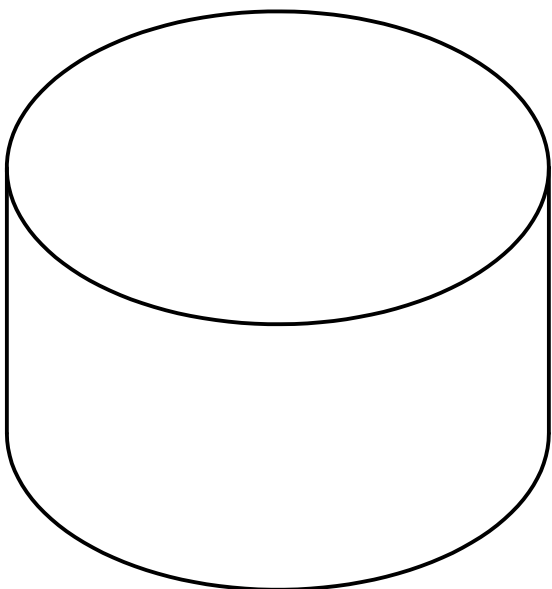
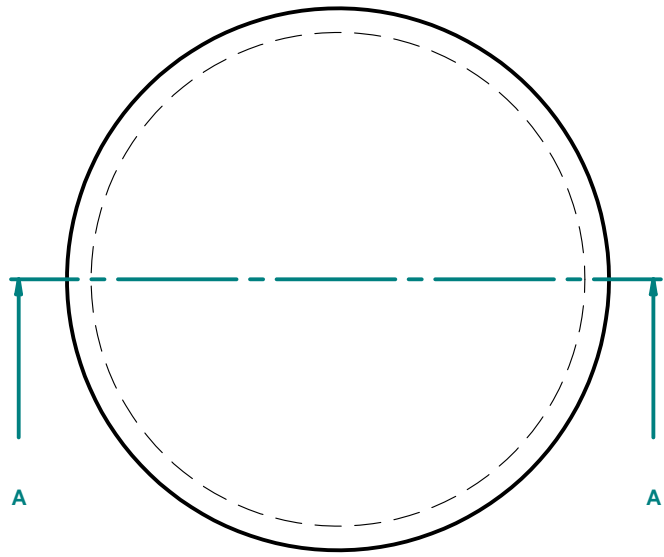


REVISION HISTORY		
REV	DESCRIPTION	DATE



SECTION A-A

UNLESS OTHERWISE SPECIFIED
 DIMENSIONS ARE IN MILLIMETERS
 ANGLES ±XX°
 2 PL ±X.XX 3 PL ±X.XXX

	DRAWN	DATE	 PACKAGING
NAME	John	28/Jan/12	
CHECKED			TITLE
SCALE	4 : 1	SHEET 1 OF 1	Spectro Cap
SIZE	FILE NAME cap.dft		REV
A4			1