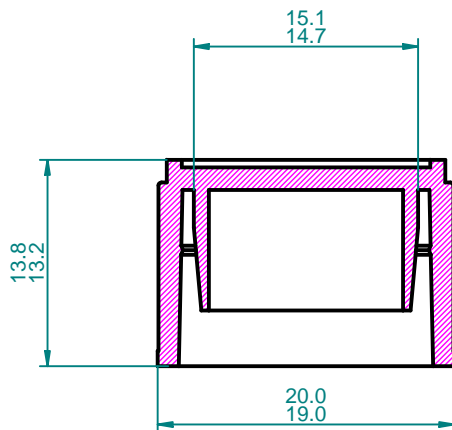
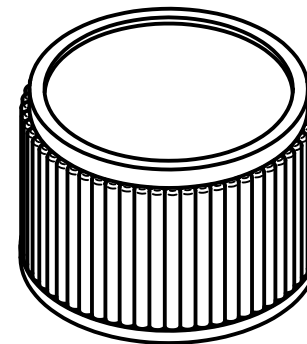
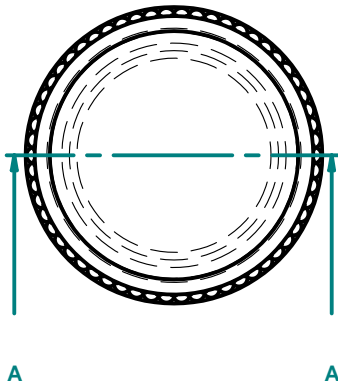



REVISION HISTORY		
REV	DESCRIPTION	DATE



SECTION A-A

UNLESS OTHERWISE SPECIFIED
 DIMENSIONS ARE IN MILLIMETERS
 ANGLES $\pm XX^\circ$
 2 PL $\pm X.XX$ 3 PL $\pm X.XXX$

	DRAWN	DATE	
NAME	John	29/Jan/12	
CHECKED			TITLE
SCALE	2 : 1	SHEET 1 OF 1	Test Tube SureSeal Cap
SIZE	FILE NAME: capQust.dft		REV
A4			1